



# kdi hardware supply

Strattec, Ilco & Jet  
Transponder Key Sale

**As Low As \$3.95ea**

Hurry - Limited to Supply On Hand  
See Page 7 for Details

The Fantastic **New** Uscan

**D130** Single Cylinder

BHMA Listed

Deadbolt has Arrived !!

See Page 12 for Details

**FREE** Master Logo  
**T-Shirt** With  
Qualifying Order

See Page 11 for Details

**New** hes Electric Strikes  
The **Economy "Vista" Line** is  
**Now In Stock !!!**

The New Fire Rated 8300

Will Soon Be Available

See Page 10 For Details

## **Trade Show 2010**

It's Never Too Early To  
Mark Your Calendars

**May 15th, 2010**

(Classes begin 5/12/10)

## **New Location:**

Tukwila Conference Center  
12424 42nd Ave S  
Tukwila, WA 98168

Announcing the Ilco  
Electronic Cloneable Key  
System Promotion

Purchase Just \$65.65 &

**Receive A \$25.00 Reward Card**

**See Page 8 For Details**

**Attention**

**Bargain Hunters**

**Don't Miss These Closeouts !!**

**Pages 6 & 7**

**First Come First Serve**





# **kdlhardware**supply

*Supplying Peace Of Mind Since 1919*

**Warehouse:**

**850 Poplar Place South  
Seattle, WA 98144**

**Mailing:**

**POB 24746  
Seattle, WA 98124**

**Web Site:**

**kdlhardware.com**  
Visit our on-line full color  
Catalog & ordering system

**Will-Call  
Hours**

**8:00 am → 4:30 pm**

**Sales Department  
Hours**

**8:00 am → 5:00 pm  
PST**

**Accounting Department**

**Cheryl Aasness Ext. 119**  
cheryl@kdllink.com  
**Emily Schei Ext. 112**  
emily@kdllink.com

**Voice:**

**1-800-926-7716**

**Voice:**

**1-206-682-7383**

**Fax:**

**1-800-524-9305**

**Fax:**

**1-206-624-9305**

**Customer Service  
Representatives**

**Al Chraca Ext. 108**

al@kdllink.com  
Cell: 206-898-3782

**George Hodgdon**  
george@kdllink.com

Cell: 503-358-0250

**Adam Munson Ext. 110**

adam@kdllink.com

**Julie Pilgrim Ext. 116**

julie@kdllink.com

**Marc Snyder Ext. 105**

marc@kdllink.com

**Emily Schei Ext. 112**

emily@kdllink.com

**Peggy Steck Ext. 104**

peggy@kdllink.com

**Keith Rongstad Ext. 102**

keith@kdllink.com

**Xavier Velazquez Ext. 101**

xavier@kdllink.com

**Kevin Cronic Ext. 109**

kevin@kdllink.com



**kdi hardware supply**



above  
Main entrance to the Tukwila Conference Center

**27th Annual Trade Show**

**Saturday May 15, 2010**

**11 am - 3 pm**

The Trade Show and all Classes  
will be held at the

**Tukwila Conference Center**

**12424 42nd Ave S**

**Tukwila, WA 98168**

The **Tukwila Conference Center** is located just one mile west of I-5 . Take the Interurban exit off of I-5 and follow west to 42nd Ave S, turn right and cross the big green bridge, turn right into the first driveway and choose any of the multitude of **FREE** parking spaces.



above  
The classrooms are spacious and bright

To use the interactive map and see photos of this remarkable facility go to [www.ci.tukwila.wa.us/recreation/tcctour/tccmap.htm](http://www.ci.tukwila.wa.us/recreation/tcctour/tccmap.htm) and click on the map to see photos of the selected area



above  
The Tukwila Conference Center and grounds are located on the banks of the Duwamish River



**kdlhardwaresupply**



**The Best Western  
River's Edge  
15901 W. Valley Highway  
Tukwila, WA 98188**



[www.bestwestern.com/southcenter](http://www.bestwestern.com/southcenter)

**For guest room reservations  
1-425-226-1812**

**The Best Western  
River's Edge  
15901 W. Valley Highway  
Tukwila, WA 98188**

**For more information go to  
[www.bestwestern.com/southcenter](http://www.bestwestern.com/southcenter)**

For those class and/or show attendees in need of hotel accommodations the Tukwila Best Western River's Edge Hotel has agreed to a special room rate of \$89 per night. The hotel guest rooms and public areas were recently renovated and are very, very nice. There is a bar and restaurant on the premises, free transfers from the airport, and the hotel will provide free transportation to the Tukwila Conference Center for the classes and for the KDL tradeshow !!

Be sure to reserve your guest room quite in advance as,

at this special price, guest rooms will sell out quickly! \*

**\*You must tell the reservation desk you are with the KDL Hardware Supply group to get this incredible rate!**

Sign up early! All classes are filled quickly on the first come, first served basis. All classes are being held at **The Tukwila Conference Center**. See below for day, date, time, class fees, and classroom. Pre-registration for all classes is **MANDATORY**. Call **Emily** at 1-800-926-7716 ext 112 or email [emily@kdllink.com](mailto:emily@kdllink.com) for details.

Each student will receive a packet containing their name tag, class materials and a lunch coupon for the on-site lunch counter. After class, each student will be issued a certificate recognizing completion of the course. These certificates are signed and dated by the class Instructor and the KDL General Manager. See [kdllink.com](http://kdllink.com) for more class information.

(\*\* = One Full ALOA PRP point, \* = One Half ALOA PRP point)

Wednesday	5/12/10	Electric Strike Installation	9 am - 5 pm **	Arts Room "A"	TBA	25 Students
Wednesday	5/12/10	Lock Picking Techniques & Training	9 am - 5 pm **	Classroom "B"	TBA	25 Students
Wednesday	5/12/10	Fundamentals of Locksmithing (DAY 1)	9 am - 5 pm **	Classroom "A"	TBA	25 Students
Wednesday	5/12/10	Locksmith Certification <i>Class</i>	8 am - Noon **	Banquet "A"	TBA	25 Students
		Locksmith Certification <i>Test</i>	1 pm - 5 pm			
Wednesday	5/12/10	TBA	9 am - 5 pm **	Banquet "C"	TBA	25 Students
Thursday	5/13/10	Low Voltage Locks, Strikes & Exits	9 am - 5 pm **	Arts Room "A"	TBA	25 Students
Thursday	5/13/10	Fundamentals of Locksmithing (DAY 2)	9 am - 5 pm **	Classroom "A"	<i>Included w/ Day1</i>	
Thursday	5/13/10	Lock Impressioning Training	9 am - 5 pm **	Classroom "B"	TBA	25 Students
Thursday	5/13/10	Access Control w/Doug Allen	9 am - 5 pm **	Banquet "A"	TBA	25 Students
Thursday	5/13/10	TBA	9 am - 5 pm **	Banquet "C"	TBA	25 Students
Friday	5/14/10	Life Safety/ADA Compliance	9 am - 5 pm **	Arts Room "A"	TBA	25 Students
Friday	5/14/10	Small Format I/C Training	9 am - 5 pm **	Classroom "B"	TBA	25 Students
Friday	5/14/10	Trilogy Certification & "Network"	9 am - 5 pm **	Classroom "A"	TBA	25 Students
Friday	5/14/10	Strattec 2010 Auto Update	8 am - Noon *	Banquet "A"	TBA	25 Students
Friday	5/14/10	Key Systems Control	1 pm - 5 pm*	Banquet "A"	TBA	25 Students
Friday	5/14/10	TBA	9 am - 5 pm **	Banquet "C"	TBA	25 Students

**Saturday 5/15/10 KDL Hardware Supply Tradeshow 11 am - 3 pm**

**Main Exhibit Hall Admission is No Charge when registered in advance**

All show attendees are treated to a wonderful lunch buffet. The buffet will begin serving at noon.

**Your pre-registration for the trade show will insure you are served a fabulous *FREE* lunch. The Tradeshow lunch buffet will begin serving at noon. Be sure to register for the show with your favorite KDL CSR or register with Emily at extension 112 or e-mail [emily@kdllink.com](mailto:emily@kdllink.com).**



# Close-Outs

**Our Loss Is Your Gain**  
**Hurry Limited Supply**  
**Savings up to 80%**



**Color images** of most of these items may be viewed on our new on-line catalog:  
[kdhardware.com](http://kdhardware.com), **Catalog**

11/1/09 → 12/31/09

Mfg	Part #	Description	Retail	Reg	Close-Out
Auto Security ASP	AUTOTEL Update 2007	Auto Software Update		\$79.95	<b>\$29.95</b>
Black & Decker	SK1000RG US15, 26D	Passage Lockset	\$15.20	\$10.00	<b>\$5.95</b>
Abus	55/45-KA-5452	1-3/4" Brass Case Padlock	\$9.55	\$5.73	<b>\$2.95</b>
HPC	511	Emergency Key Box	\$56.90	\$28.45	<b>\$13.95</b>
Jet	B50-250	250 Pack Brass Blanks		.23¢	<b>.10¢</b>
Master	7126D	Metal Key Cabinet 120 Capacity	\$80.00		<b>\$39.95</b>
Black & Decker	SD9100 US3,15,26D	G3 S/Cyl Deadbolt/ KW1	\$17.70	\$11.75	<b>\$7.95</b>
Black & Decker	SL5000WL US26D & US3	G3 Entry Leverset KW1 Keyway	\$22.70	\$15.75	<b>\$8.95</b>
Ilco	B47K-NP-250	250 Pack Brass NP Blanks		.25¢	<b>.10¢</b>
Arrow	L11-SR-626 "C" Keyway	G2 Entry Leverset	\$211.90	\$105.95	<b>\$39.95</b>
Master	#22-KD	Laminated Padlock	\$3.64	\$1.63	<b>.79¢</b>
Ilco	H54-NP-250	250 Pack NP Brass Key Blanks		.29¢	<b>.12¢</b>
Ilco	NA12-BR-250	250 Pack Brass Key Blanks		.22¢	<b>.10¢</b>
Kwikset	720 Abbey US3	G2 Passage Lockset	\$24.00	\$10.80	<b>\$5.40</b>
Marks	195F-US10B	G1 Storeroom Leverset	\$416.00	\$166.00	<b>\$59.95</b>
Jet	HD83-NP	50 Pack Brass NP Blanks		.57¢	<b>.19¢</b>
LCN	P1461-DKBRZ	Door Closer	\$287.00	\$156.50	<b>\$89.50</b>



**Limited To Stock On Hand**





# Close-Outs Transponder Keys Strattec, Ilco, Jet



<b>Mfg</b>	<b>Part #</b>	<b>Description</b>	<b>Reg</b>	<b>Close-Out</b>
Strattec	692058	Mitsu Transponder Key	\$10.70	<b>\$3.95</b>
Strattec	692037	Ford Transponder Key	\$8.50	<b>\$3.95</b>
Strattec	690212	Mazda Transponder Key	\$15.50	<b>\$8.95</b>
Strattec	599104	Mazda Transponder Key	\$8.50	<b>\$3.95</b>
Strattec	597279	GM Vats Interrogator	\$4.25ea	<b>\$2.00ea</b>
Strattec	5910762	Mazda IKT 3-Button	\$89.95	<b>\$19.95</b>
Strattec	692813	Ford IKT 3-Button	\$91.70	<b>\$45.50</b>
Strattec	692812	Sable IKT 4-button	\$91.70	<b>\$45.50</b>
Strattec	693254	H2 Circle Plus	\$13.40	<b>\$6.70</b>
Strattec	692565	Mitsu Transponder	\$11.65	<b>\$5.75</b>
Strattec	597279	GM Vats Interrogator	\$4.32	<b>\$2.00</b>
Strattec	599450	Chrysler Transponder	\$7.70	<b>\$3.95</b>
Ilco	MIT11R-EK	Mitsu Electronic Key	\$52.00	<b>\$9.95</b>
Ilco	Y163CHY-PT	Chrysler Transponder	\$12.00	<b>\$6.00</b>
Ilco	Y163JP-PT	Jeep Transponder	\$12.00	<b>\$6.00</b>
Ilco	Y163JP-PT	Dodge Transponder	\$12.00	<b>\$6.00</b>
Jet	TR51-N-PHT	Toyota Crypto Key	\$34.00	<b>\$9.95</b>
Jet	HD113-PHT	Acura Transponder Key	\$13.75	<b>\$5.95</b>
Jet	TR60-N-PHT	Lexus Crypto Key	\$34.00	<b>\$9.95</b>
Jet	DA34-N-PHT	Nissan Crypto	\$34.00	<b>\$9.95</b>



**Limited To Stock On Hand**



# Ilco Electronic Cloneable Key System

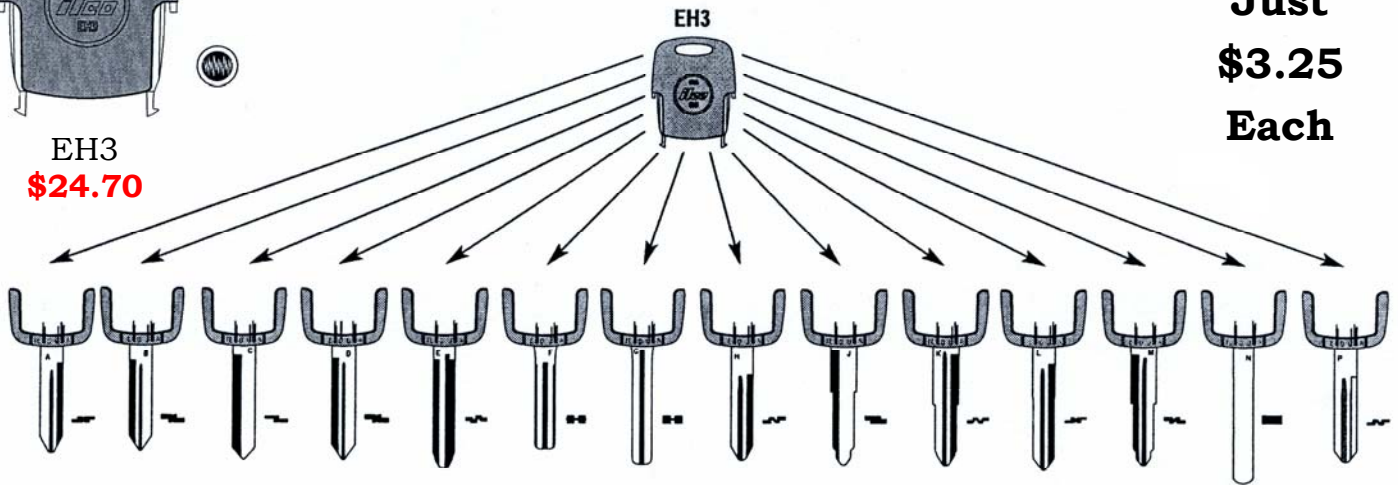
Purchase 2 EH3 and five blades and receive a \$25 Reward Card!

**BLADES**

**Just  
\$3.25  
Each**



**EH3  
\$24.70**



Y160 | H72 | H73 | H84 | TOY43 | TOY48 | TOY40 | NI02 | MAZ24 | MIT8 | MIT9 | MIT14 | SUB1 | SUB4

**One universal head (EH3) and 14 blades cover 17 makes and over 190 automobile models:**

- Clone previously “un-cloneable” transponder keys a the counter using Ilco electronic keys and a RW4 or Ilco EZ-Clone equipment. (no PC, internet connection, or software purchase required) Visit Kaba-Ilco.com for details.
- Eliminate the need for two functioning keys being required for On-Board Programming.
- Key head contains a replaceable, lithium batter (CR1632)
- Mis-cuts, no problem, simply discard the blade, reuse the head.
- Modern, sleek, two-part key design, proportionally sized to the original key

**Purchase two EH3 electronic key heads & five blades and receive a \$25.00 Reward Card**

**Reward cards do not expire.**  
This promotion and special pricing as shown are valid only through December 31, 2009.

**Purchase either a RW4 machine or an EZ Clone transponder key duplicator and receive a \$100.00 Reward Card**



**EZ-Code  
Cuts automotive & Commercial Keys by Code or duplication.**

**\$1475.00**

Features include an internal database of codes and cut specifications, automatic key edge detection and automatic depth calibration. Fast and easy to operate and delivers accurate and dependable results !



**RW4**

Detects, reads, generates, archives and clones many transponder keys & electronic cloneable keys.

**\$1493.00**







Buy \$100 worth of products on this page and get a \$25 Reward Card



**New Vista V3**  
12VDC or 24VDC  
With Three Faceplate Options

The Vista V3 series offers real value, innovation and flexibility in one compact product. With three faceplate options, plus 2 spacers to adjust for cutout depth, Vista V3 can replace multiple competing electric strikes with no modification to the frame. Offering up to 1/4" of horizontal adjustability in small increments, Vista V3 is ideal for cylindrical locksets with 1/4" to 5/8" latchbolts, in medium duty applications.



**Strike Body \$48.00**

Retail \$80.00

Pictured with V3-1 Faceplate  
4-7/8" x 1-1/4"

V3-1-630 Faceplate  
**\$12.65**

Ansi/BHMA A156.31 Grade2  
Wood or Metal applications  
.20 Amps @ 12VDC continuous duty  
.10 Amps @ 24VDC continuous duty  
Static strength 1000 lbs  
Endurance 500,000 cycles



**Strike Body \$48.00**

Retail \$80.00

Pictured with V3-2 Faceplate  
7-15/16" x 1-7/16"

V3-2-630 Faceplate  
**\$19.95**

Ansi/BHMA A156.31 Grade2  
Wood or Metal applications  
.20 Amps @ 12VDC continuous duty  
.10 Amps @ 24VDC continuous duty  
Static strength 1000 lbs  
Endurance 500,000 cycles



**New 8300**

The best choice for retrofit into fire-rated frames

Introducing the fire-rated, concealed 8300 series, a compact, high performance electric strike that falls within the guidelines for retrofit into fire-rated frames. Its unique, concealed design delivers both fire-rated performance and superior aesthetics. Five optional faceplates starting at **\$24.60**.



**Strike Body \$266.50**

Retail \$450.00

UL 10C, 3-hour fire-rated (fail-secure)  
Ansi/BHMA A156.31 Grade 1  
Wood or Metal applications  
.24 Amp @ 12VDC/VAC  
.12 Amp @ 24VDC/VAC  
DC continuous duty/ AC intermittent duty only

**New Vista V3**

12VDC or 24VDC  
With Three Faceplate Options



**Strike Body \$48.00**

Retail \$80.00

Pictured with V3-5 Faceplate  
3-1/2" x 1-3/8"

V3-5-626 Faceplate  
**\$9.95**

Ansi/BHMA A156.31 Grade2  
Wood or Metal applications  
.20 Amps @ 12VDC continuous duty  
.10 Amps @ 24VDC continuous duty  
Static strength 1000 lbs  
Endurance 500,000 cycles



**1601-689 (AL)**

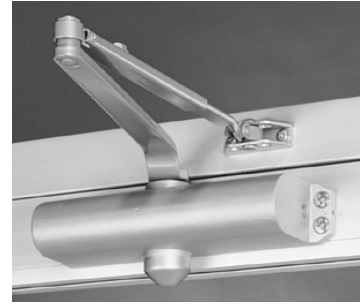


**ASSA ABLOY**

**Door Closers**

**9303BC-689 (AL)**

**9304BC-689 (AL)**



- Adjustable spring sizes 3 → 6, Non-Handed
- Rack & Pinion Operation, Aluminum alloy shell
- Regular arm, top jamb or parallel arm mount
- Separate Adjustable Sweep & Latch Speed
- Non-critical valves, adjust w/ 1/8" hex-key
- Grade 1, UL Listed, 10-year warranty

- Adjustable spring sizes 3 → 6, Non-handed
- Standard adjustable backcheck
- Regular arm & top jamb mount
- Grade 3, 5-year warranty
- Separate adjustable Sweep & Latch Speed
- Made in the USA



**\$66.50ea**



Buy two of either or both of these Norton closers on this page and get a \$25 Reward Card

**\$62.50ea**



**New From Schlage Rim Cylinder w/ Thumbturn for Von Duprin Exits**

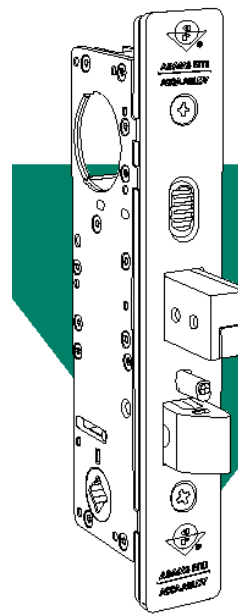


**XB11-979-626**

The rim cylinder with thumbturn was designed to work with the inside head of the Von Duprin rim 98/99-2 devices. This is a great solution for perimeter and/or classroom security applications. The thumbturn is used for locking/unlocking the outside trim from the interior and can also be used as a visual indication of whether or not the door is locked.



**New From Adams Rite Interconnected Deadbolt/ Latch**



**Interconnected Deadbolt/Latch**  
For Aluminum Slit Doors  
**Dual Force 2190**  
ANSI/BHMA Type E82101 (Grade 1)

**Coming Soon!**

- Features:**
- Interconnected deadbolt and deadlatch operate with a single motion release
  - Meets the most stringent building egress requirements
  - Electrified lever option for access control

**Re-Settable****175-D**

2" Wide Solid Brass Case, Hardened Steel Shackles. Set your own combination. 4 digit dialing allows for thousands of possible combinations. Change key included. Shackle 1" vertical clearance, 5/16" diameter.

Retail \$21.18

**Sale \$12.70ea \$12.05/6**

**Purchase \$50 of these Master products & receive a **FREE** Master Logo T-Shirt**

**Re-Settable****175LH-D**

2" Wide Solid Brass Case, Hardened Steel Shackles. Set your own combination. 4 digit dialing allows for thousands of possible combinations. Change key included. Shackle 2 1/4" length, 5/16" diameter.

Retail \$24.01

**Sale \$14.40ea \$13.69/6****Luggage Locks ... TSA Accepted**

- \* 1 1/4" wide body
- \* Durable metal construction
- \* Set-Your-Own combination

Retail \$12.01

<b>4680DBLK</b>	Black	<b>\$7.20ea</b>	<b>\$6.85/6</b>
<b>4680DNKL</b>	Nickel	<b>\$7.20ea</b>	<b>\$6.85/6</b>

**Re-Keyable Laminated Steel****21W1-KZ "0" Bitted, 1K Keyway**

1 3/4" Wide case. Shackle 15/16" vertical clearance, 5/16" diameter.

**Sale \$9.50ea \$9.00/6**  
Retail \$15.82

**Re-Keyable Laminated Steel****21W0 Less Cylinder**

1 3/4" Wide case. Shackle 15/16" vertical clearance, 5/16" diameter.

**Sale \$7.10ea \$6.75/6**  
Retail \$11.82

**Laminated Steel****#1 1 3/4" Case**

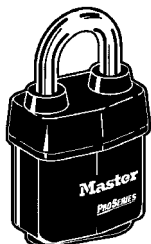
5/16" diameter shackle

**Sale KD \$6.49ea \$6.20/6**  
**KA \$7.06ea \$6.71/6**

**Laminated Steel****#3 1 1/2" Case**

9/32" diameter shackle

**Sale KD \$5.65ea \$5.36/6**  
**KA \$6.22ea \$5.90/6**

**Pro Series****6121WO**

2 1/8" Wide case. Shackle 1 1/8" vertical clearance, less cylinder

**Sale \$10.70ea \$10.18/6**  
Retail \$17.85

**Pro Series****6321WO**

2 1/8" Wide case. Shackle 3/4" vertical clearance, less cylinder

**Sale \$15.63ea \$14.85/6**  
Retail \$26.05

# K-D-L Hardware Supply

P.O. Box 24746  
Seattle, WA 98124

PRSR STD

U.S. POSTAGE  
PAID  
#2808  
SEATTLE, WA

**VOLUME 09, NUMBER 192**

**EXPIRES December 31, 2009**

Some merchandise may be limited to stock on hand. Within the Continental U.S Freight is prepaid on \$300.00 orders from west of the Mississippi River and on \$600.00 orders from east of same. Not responsible for typographical errors



Introducing The New Uscan Grade 2

## D130 Single Cylinder Deadbolt

**“The Best Just Got Better”**

Now featuring the all new BHMA Listed Grade 2,  
6-Way UL Listed Deadbolt  
SC1 Keyway



	Reg
D130X605	\$18.70 <sup>ea</sup>
D130X630	\$18.70 <sup>ea</sup>
D130X609	\$20.15 <sup>ea</sup>
D130X613	\$21.60 <sup>ea</sup>
D130-IC-630 Less Core	\$21.10 <sup>ea</sup>
D130-IC0613 Less Core	\$24.45 <sup>ea</sup>

**Purchase 6ea & Receive a 7th lock FREE**

**+**

Place your order at

**“kdlhardware.com”**

**“OnLine Orders” &**

**Receive a \$50.00 No-Charge**

**Uscan Award Card**

